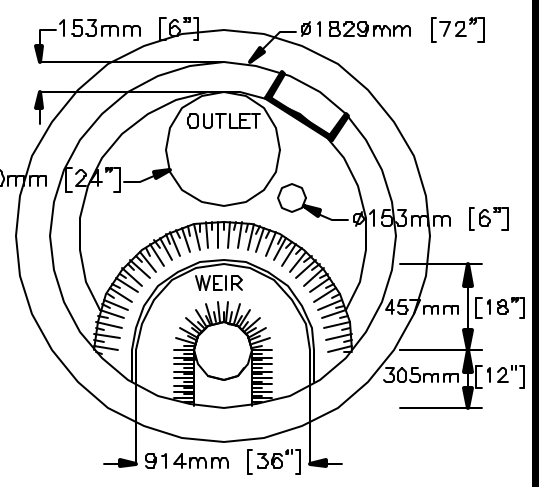


SCALE: 1:20
ENLARGED OUTLET DETAIL



Notes :

1. Dimensions may vary regionally due to different manufacturer's.
2. Access way is offset to allow access to the fibreglass bypass slab and to allow inspection and maintenance from the surface
3. Pipe installation by grouting or flexible boots.
4. Flexible boots may not be suitable for all installations. Please contact your sales representative for further information.
5. 610 mm [24"] outlet to be used for cleanout access to the treatment chamber.
6. Safety grates for the 610 mm [24"] outlet are available.

STORMCEPTOR IS PROTECTED BY ONE OR MORE OF THE FOLLOWING PATENTS:
 Canadian Patent No. 2,009,208
 Canadian Patent No. 2,137,942
 U.S. Patent No. 4,985,148
 U.S. Patent No. 5,498,331
 U.S. Patent No. 5,725,760
 U.S. Patent No. 5,753,115

SECTION

DATE REQ'D	# REQ'D	SCALE
	N/A	1:40
DATE	D.B.	UNITS
10/28/98	A.M.G.	

STC 7200 PRECAST CONCRETE STORMCEPTOR
 FIBREGLOSS DISC DESIGN - 7200 U.S. GALLON CAPACITY